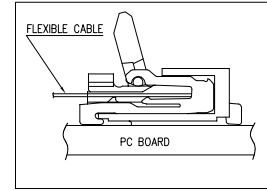
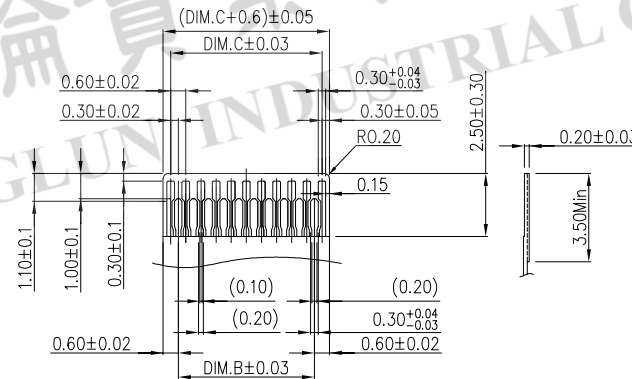
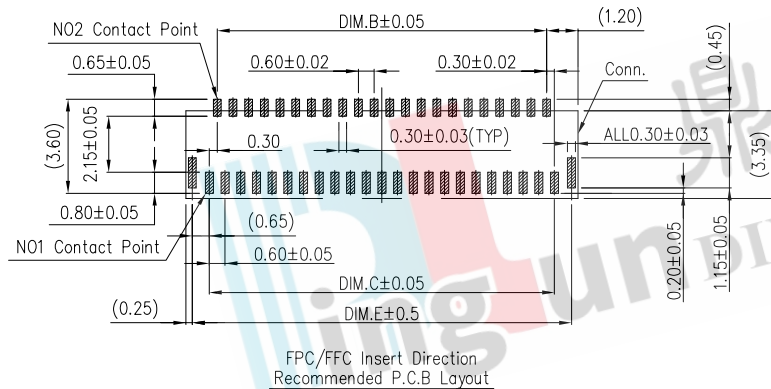
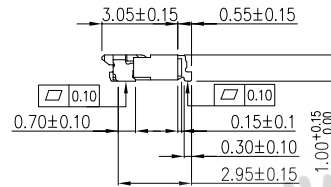
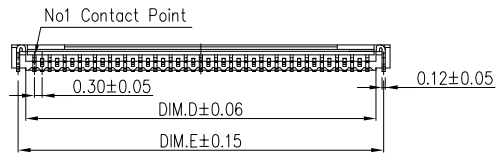


When Actuator Is Opened  
Scale 2:1



- SPEC :
- Housing: High-Temp Plastic, UL94-V  
Color: Natural Or Black
  - Locker: High-Temp Plastic, UL94-V  
Color: Black
  - Contact: Phosphor Bronze  
Initial: 30m Ohms Max.  
Voltage Rating: 50V AC, DC  
Solder Tab: BRASS
  - Temperature Rating: -55°C ~ +85°C
  - Dielectric Withstanding Voltage: 500V AC/Min



Applicable FPC

● : 表示現有可提供PIN數

PIN	DIM.A	DIM.B	DIM.C	DIM.D	DIM.E
● 13	5.40	3.00	3.60	4.25	4.90
● 15	6.00	3.60	4.20	4.85	5.50
● 17	6.60	4.20	4.80	5.45	6.10
● 19	7.20	4.80	5.40	6.05	6.70
● 21	7.80	5.40	6.00	6.65	7.30
● 23	8.40	6.00	6.60	7.25	7.90
● 25	9.00	6.60	7.20	7.85	8.50
● 27	9.60	7.20	7.80	8.45	9.10
● 29	10.20	7.80	8.40	9.05	9.70
● 31	10.80	8.40	9.00	9.65	10.30
● 33	11.40	9.00	9.60	10.25	10.90
● 35	12.00	9.60	10.20	10.85	11.50
37	12.60	10.20	10.80	11.45	12.10
● 39	13.20	10.80	11.40	12.05	12.70
● 41	13.80	11.40	12.00	12.65	13.30
● 45	15.00	12.60	13.20	13.85	14.50
49	16.20	13.80	14.40	15.05	15.70
● 51	16.80	14.40	15.00	15.65	16.30
57	18.60	16.20	16.80	17.45	18.10
● 61	19.80	17.40	18.00	18.65	19.30
● 67	21.60	19.20	19.80	20.45	21.10
71	22.80	20.40	21.00	21.65	22.30

ORDERING INFORMATION:

FPCZ - 03100 PHCE - xx - x - G

- PLATING: G= GOLD FLASH
- PACKING T=TUBE R=REEL
- NO. of contacts
- Series name
- PITCH=0.3mm
- FPC SERIES



**鼎掄實業有限公司**  
DINGLUN INDUSTRIAL CO., LTD.

DRAWN:	michael lin 2017/07/22	TOLERANCE	SCALE
CHECKED:	Eddie Liu 2017/07/22	.X±0.30	None
APPROVED:	Eddie Liu 2017/07/22	.XX±0.20	UNIT
		.XXX±0.10	mm
		PROJECTION	REV.
		⊕	A

TITLE  
FPC 0.3PH 1.0H 掀蓋貼前插

P/N NO.  
FPCZ-03100PHCE-xx-xG

DWG. NO.

CUSTOMER P/N NO.

REV.	REASONS	DATE	DRAWN
1			
2			
3			
4			
5			
6			
7			
8			
9			